

# COMBi-STE 2500-4000

The multi-directional, electric, stand-on forklift designed for the safe, space saving and productive handling of long and bulky loads.

# COMBiLiFT

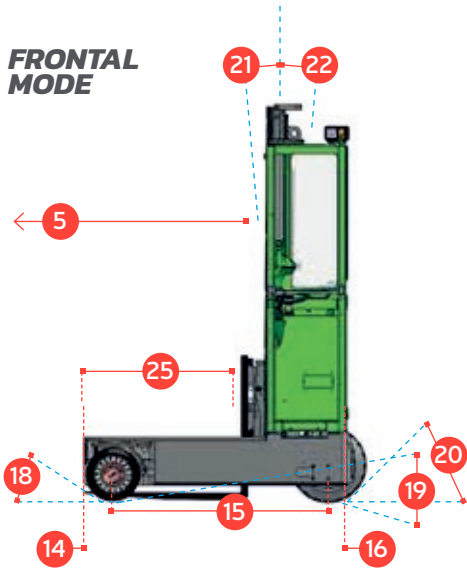
LIFTING INNOVATION



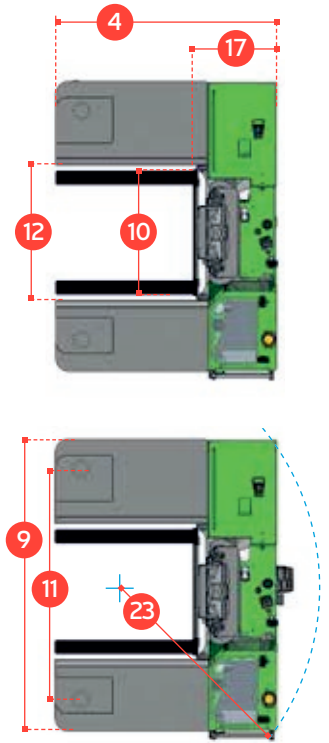
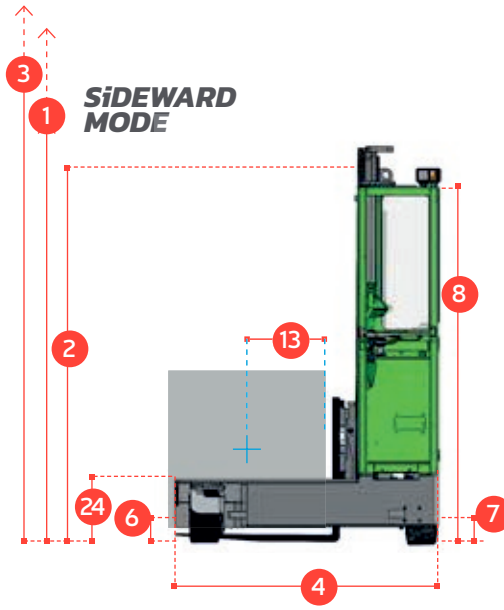
ncnielsen

# COMBi-STE 2500-4000

## FRONTAL MODE



## SIWARD MODE



REF.	DESCRIPTION	C2500	C3000	C4000
1a	Max. Lift Height		4040mm	
1b	Freelift Height		0mm	
2	Height Mast Closed		2830mm	
3	Max. (Mast raised)		5185mm	
4	Overall Length	2000mm		2100mm
5	Mast Travel		1300mm	
6	Ground Clearance Under Mast		230mm	
7	Ground Clearance to Wheelbase		150mm	
8	Height Over Cab (Without work lights)		2730mm	
9	Platform Width	2645mm		2914mm
10	Outside Spread of Fork Arms	1150mm		1350mm
11	Track Front	2085mm		2305mm
12	Frame Opening	1230mm		1500mm
13	Load Centre Distance		600mm	
14	Overhang Front		235mm	
15	Wheelbase	1580mm		1730mm
16	Overhang Back		135mm	
17	Length From Face of Fork	800mm		900mm
18	Approach Angle		45°	
19	Ramp Angle		17°	
20	Departure Angle		45°	
21	Forward Tilt		4°	
22	Backward Tilt		4°	
23	Minimum Outside Radius	1870mm		2000mm
24	Platform Height		480mm	
25	Platform Length		1200mm	

A	Capacity	2500 kg	3000 kg	4000 kg
B	Unladen Weight	6250 kg	6450 kg	6650 kg
C	Maximum Ground Speed	10 km/h		
D	Gradeability	10%		
E	Battery Capacity	80 V / 465 Ah		
F	Fork Section	125 x 50 x 1200mm	150 x 50 x 1200mm	
G	405 / 305 - 260 Front Tyre (Solid)	OD 405mm / Width 260mm		
H	23 x 10 - 12 Rear Tyre (Super Elastic)	OD 580mm / Width 240mm		
I	Standard Colour	Green & Grey		
J	AC Electric Traction Motor x 2	80 V / 5 kW		
K	AC Electric Pump Motor	80 V / 19 kW		

## Multi-Directional



## Features Include:

- Rubber Mounted Cabin
- Multi-Direction Operation
- AC Motor Technology
- Load Sensing Steering
- 2 Wheel Electric Drive
- Stand-up Operator
- (Sit Down Cabin Option Available)

# ncnielsen

Nørregade 66  
7860 Balling

Telefon 99 83 83 83

www.nc-nielsen.dk • info@nc-nielsen.dk

COMBILIFT HAS A POLICY OF CONTINUOUS PRODUCT DEVELOPMENT AND RESERVES THE RIGHT TO ALTER SPECIFICATIONS WITHOUT PRIOR NOTICE. SPECIFICATIONS AND/OR DIMENSIONS MAY VARY FROM THOSE ILLUSTRATED IN SOME COUNTRIES.

PCT Patent Application No. PCT/EP2014/053066; UK Patent Application No. GB1302811.3

nc-nielsen.dk